

# SRC SERIES

## Rocking Piston Compressor



**Models:**  
**SRC25, SRC252,**  
**SRC50, SRC502,**  
**SRC75, SRC752**



The EasyPro Stratus SRC Series rocking piston compressors are specifically designed for the demanding job of 24 hour operation. The oil-less design makes them ideal for pond aeration systems. Available in 1/4, 1/2 and 3/4 hp, 115v and 230v.

### Units include:

- Air inlet filter
- Rubber feet
- 5' power cord

### Features:

- Quieter operation than similar compressors
- Universal dual voltage motor
- Oil-less operation
- Includes Stratus Smart-Start technology to start under load
- Superior quality, flexible cup material for increased reliability
- Permanently lubricated bearings
- Diecast body components for overall strength
- Single or double cylinder design
- 2 year warranty
- Maximum psi 30

### Specifications:

Model	SRC25 – SRC252	SRC50 – SRC502	SRC75 – SRC752
HP	1/4	1/2	3/4
Volt/Hz	115v/60Hz – 230v/60Hz	115v/60Hz – 230v/60Hz	115v/60Hz – 230v/60Hz
Motor Type	4 Pole	4 Pole	4 Pole
Air Flow @ PSI	CFM	CFM	CFM
0	2.30	4.50	6.50
5	2.17	4.35	6.00
10	2.00	4.10	5.40
15	1.89	3.90	5.20
20	1.80	3.69	5.00
25	1.75	3.50	4.80
30	1.70	3.30	4.50
Inlet/Outlet Size	1/4" fpt	1/4" fpt	1/4" fpt
RPM	1725 60Hz	1725 60Hz	1725 60Hz
Amps* (115–230)	3.0 – 1.5	6.2 – 3.1	7.9 – 4.0
Watts* (output)	190w - 290w	340w - 586w	398w - 620w
Noise Level	<60 dB	<65 dB	<70 dB
Weight	15 lbs.	19 lbs.	26 lbs.

\*Varies based on operating conditions

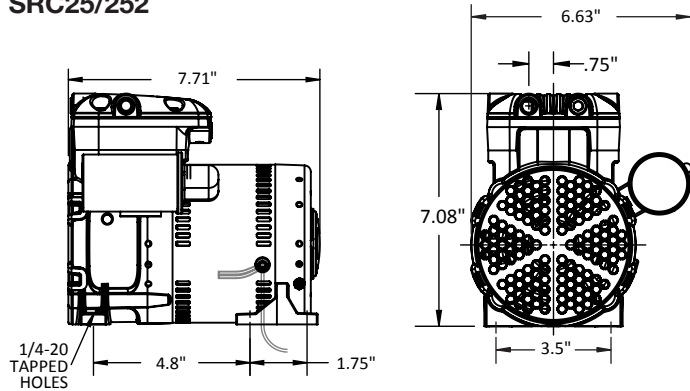
# SRC SERIES

## Rocking Piston Compressor



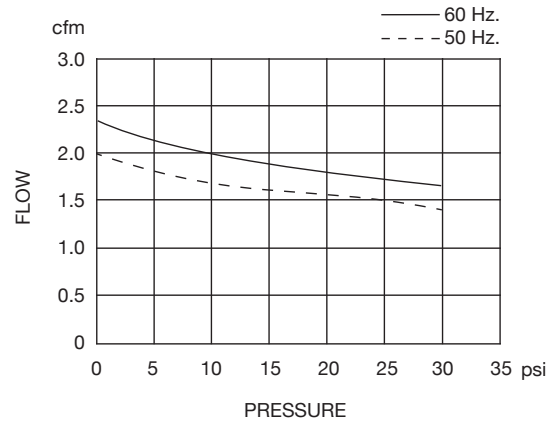
### Dimensions:

**SRC25/252**

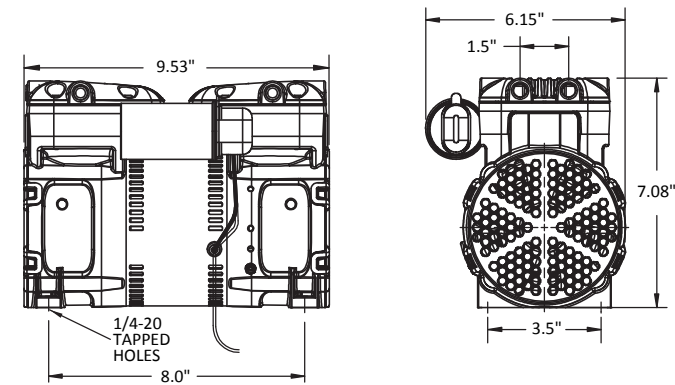


### Performance Curves:

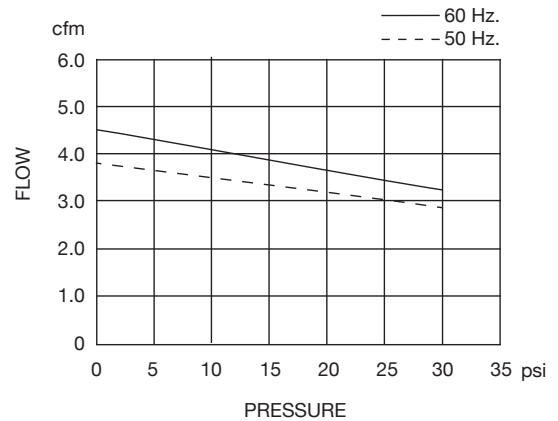
**SRC25/252**



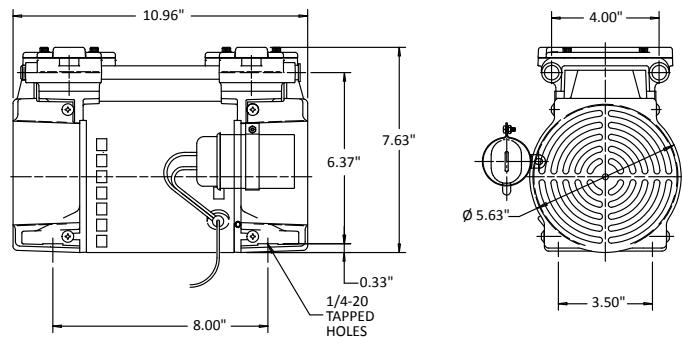
**SRC50/502**



**SRC50/502**



**SRC75/752**



**SRC75/752**

