



42371 Avenida Alvarado  
Temecula, CA 92590  
TOLL FREE (800) 454-2725  
TEL (951) 296-3480  
FAX (951) 296-3490  
[www.aquauv.com](http://www.aquauv.com)

---

# **AQUA UV™**

## **UV UPGRADE KIT**

FOR USE WITH SAVIO SKIMMERS

### **Instructions for Installing 15/25/57 Watt UV In Savio Skimmers**

Register your UV by using the attached warranty card  
or  
go online to [aquauv.com](http://aquauv.com)



Find us on Facebook  
[www.facebook.com/AquaUltraviolet](http://www.facebook.com/AquaUltraviolet)



Follow us on Twitter  
[www.twitter.com/aquaultraviolet](http://www.twitter.com/aquaultraviolet)



See us on YouTube  
[www.youtube.com/AquaUltraviolet](http://www.youtube.com/AquaUltraviolet)

---



# Table of Contents

---

Important Information. . . . .	1
Warranty. . . . .	2-3
Determine your Skimmer Style / Model 15 Watt . . . . .	4
Determine your Skimmer Style / Model 25/57 Watt. . . . .	5
Installation Instructions . . . . .	6-7
Winterizing . . . . .	8
Cleaning The Quartz Sleeve . . . . .	8
Changing The Quartz Sleeve. . . . .	8
Changing The Lamp . . . . .	8
Incorrect Installation. . . . .	9
Other Easy Care Aqua UV Pond Products. . . . .	10
Replacement Parts. . . . .	11

---

***THIS SECTION CAN BE USED FOR NOTES:***

# Important Information



**THANK YOU FOR PURCHASING THE BEST  
WE CAN HELP YOU**

Returning this product is expensive and time consuming for you, your retailer and for us, the manufacturer. Should you encounter any problems with your product, please call our toll free "HELP" line for assistance. **PLEASE DO NOT** return your product to the store! Your dealer or distributor cannot offer any warranty work on your product.



**In the US please call  
TOLL FREE 1 - 800 - 454 - 2725  
(951) 296-3480 Outside the U.S.  
THANK YOU!**

# WARRANTY INFORMATION

Aqua Ultraviolet systems are warranted against failure due to defects in materials and/or workmanship during the warranty period. This warranty covers defects occurring under normal use and applies to the original retail purchaser and may not be transferred. The warranty and remedies set forth herein are conditional upon proper storage, installation, use, maintenance and conformance with the applicable use. It will be based upon Aqua Ultraviolet's discretion as to whether the defects are of manufacturing origin.

This warranty does not apply to appearance or accessory items. This warranty does not include damage due to shipping and handling, transportation, unpacking, set up, installation, improper maintenance, incorrect line voltage, modification, abuse, misuse, neglect, accident, fire, flood, acts of God or repair or replacement of parts supplied by anyone other than Aqua Ultraviolet.

Any oral statements about this product made by the seller, the manufacturer, their representatives or any other party does not constitute warranties and shall not be relied upon by the user and are not part of this contract.

Neither the seller nor the manufacturer shall be liable for any injury, loss or damages, direct, incidental or consequential including but not limited to lost profits, lost sales, injury, inability to use the product and the user agrees that no other remedy is available.

Before installing, the user shall determine the suitability of the product for their intended use and the user shall assume all risk liability whatsoever in connection therewith.

To validate this warranty, mail the enclosed warranty card within 10 days of purchase along with proof of purchase (copy of sales receipt) or register online at [www.aquauv.com/support/productregistration](http://www.aquauv.com/support/productregistration).

## **Warranty Period:**

Complete Unit: One year from the date of purchase or 18 months from manufacturing date.

## **Limitations:**

Warranty does not cover any malfunction from improper installation (we recommend that a licensed electrician install your system to the specifications outlined in this owners guide).

Warranty only applies to the original end user and is not transferable.

Warranty does not cover repairs done by anyone other than Aqua Ultraviolet.

Warranty is void if system is not plugged into a G.F.C.I. (Ground Fault Current Interrupter).

Warranty may not be modified by verbal statements by Aqua Ultraviolet, distributors, retailers, their agents or any other party.

Warranty covers the repair or prorated replacement of the Aqua Ultraviolet products. Aqua Ultraviolet denies all liability for any other loss including but not limited to loss of equipment, income, livestock or personal injury.

There is no warranty on the Quartz Sleeve.

There are no warranties on broken Lamps. Lamps are prorated by usage.

## **Warranty is voided by the following:**

**Product labels defaced or removed.**

**Product is improperly installed or maintained by user or agent.**

**Product abused, misused or damaged by user or their agent.**

**Product damage caused by electrical surges, electrical spikes, electrical brown outs or improper voltage.**

**Electrical cord has been cut.**

**Unit was run without water.**

**Use of anything other than genuine Aqua Ultraviolet Parts.**

**Damage from water to electrical components.**

Any implied warranty granted under state law including warranties of merchantability or fitness for a particular purpose are limited to one year from the date of purchase or 18 months from the date of manufacture or as otherwise stated in the above warranty. Aqua Ultraviolet is not responsible for direct, indirect, incidental or consequential damages. Some states do not allow limitations on how long an implied warranty lasts and/or does not allow the exclusions or limitations of incidental damages so the above limitation and exclusion may not apply to you. This warranty gives you special legal rights and you may also have other rights that vary from state to state.

# WARRANTY CONTINUED

---

## Warranty Returns or Repair Returns:

Please call Aqua Ultraviolet at (800) 454-2725 for a "Return Merchandise Authorization" (RMA) number, or email [support@aquauv.com](mailto:support@aquauv.com). You must have a valid RMA from an Aqua Ultraviolet customer service representative before sending any product in for warranty or repair. Please have your serial number, date of purchase and product type available when calling for an RMA number.

All warranty returns or repair returns must come freight prepaid with an RMA number clearly marked on the outside of the box. All other returns will be refused. Aqua Ultraviolet will not be liable for any shipping cost to return warranty or repair items. Include a note in the box with your RMA number, name, address, daytime phone number and brief description of the reason for return or repair.

Be sure to return product in the same packaging or similar packaging and insure the package (we recommend sending it UPS). If you do not have or can't locate proper packaging, please call our customer service department and we will send you packaging for a minimal charge.

Aqua Ultraviolet shall not be responsible for damage or loss done by the shipper. Nor shall Aqua Ultraviolet be responsible for merchandise that arrives damaged due to improper packaging. All claims for loss and damage must be filed by the customer with the shipper.

If the unit is found to be out of warranty we will contact you with the cost of repair. Your authorization is required prior to making any repairs.

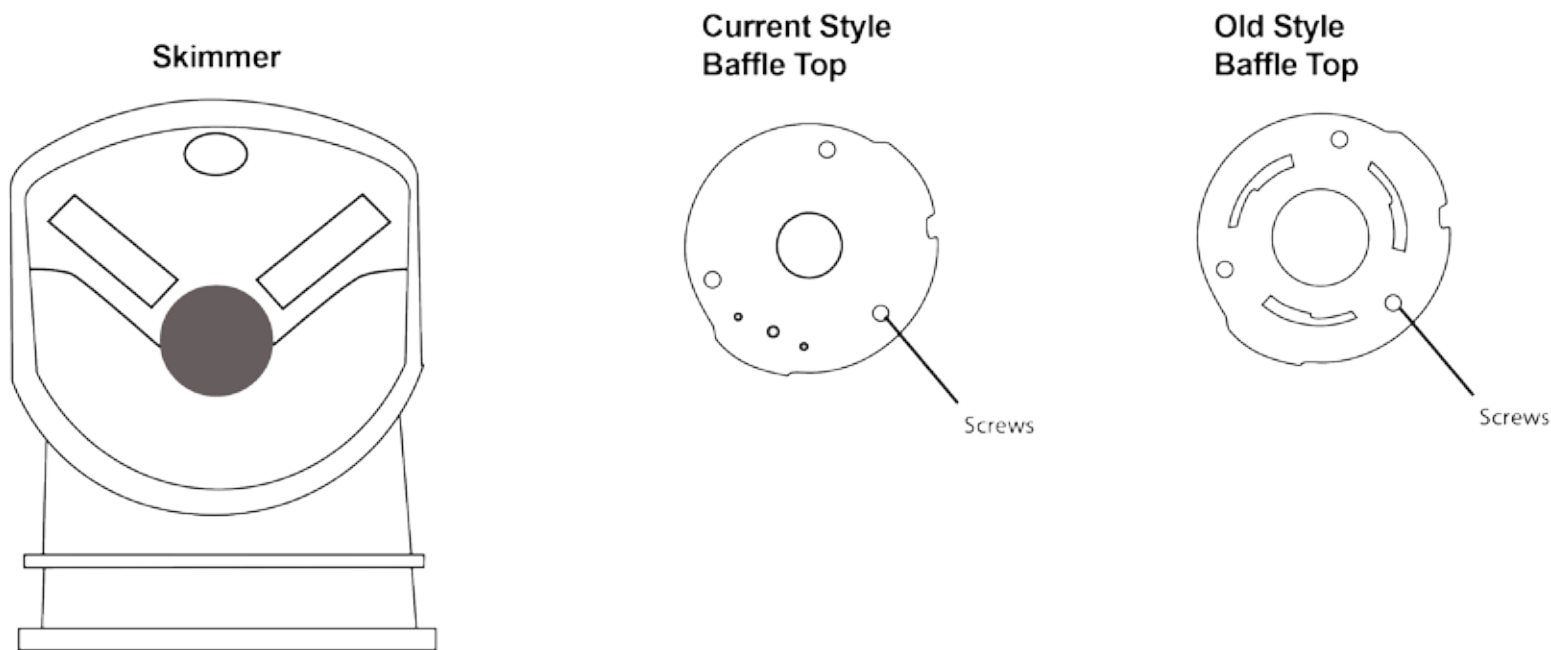
# DETERMINE YOUR SKIMMER, 15 WATT UV

A00357

15 Watt Clarifier Retrofit For Ponds up to 2000 gallons

Warning: Failure to follow these instructions correctly could result in voiding the warranty. Do not attempt repairs yourself, contact Aqua Ultraviolet. Always unplug the unit from its power source before opening the skimmer's lid. Care should be taken to avoid the possibility of electrical shock. If the unit falls into the water do not reach for it. First unplug the unit and then retrieve it. If any electrical component gets wet unplug the unit immediately. Do not operate this unit if it has a damaged cord or plug, or if the unit is malfunctioning or if it has been dropped or damaged in any way. Always unplug the unit when servicing the skimmer, cleaning, removing or replacing any parts of the unit or skimmer. Never yank the cord to pull the plug, grasp the plug to disconnect. Do not allow the unit to be entirely submerged. Do not allow the transformer to be submerged in water. Do not place transformer in the pond or in an area where water can pool. Do not operate the unit in a dry skimmer, damage may result. Damage caused by operating the unit dry is not covered under the warranty. Improper assembly may result in electrical component water damage, which is not covered under the warranty.

First determine if your Savio Skimmer has the Current Style Baffle or Old Style Baffle, refer to the diagram below. If your baffle top has a large opening like the one on the right Old Style Baffle, purchase a Current Style Baffle from Savio then proceed with the installation on page 6. If your baffle looks like the one on the left, Current Style Baffle, go to page 6.



# DETERMINE YOUR SKIMMER 25/57 WATT UV

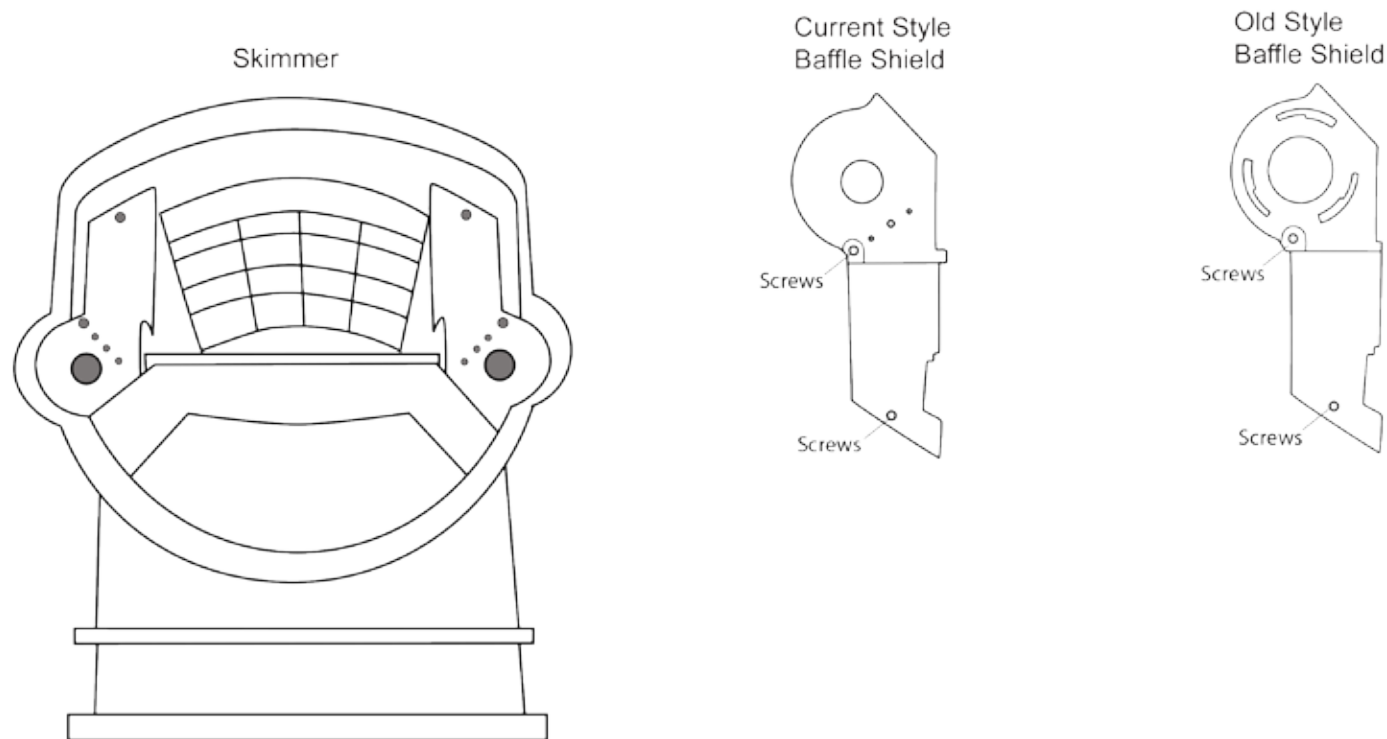
A00333  
A00332

25 Watt Clarifier Retrofit  
57 Watt Clarifier Retrofit

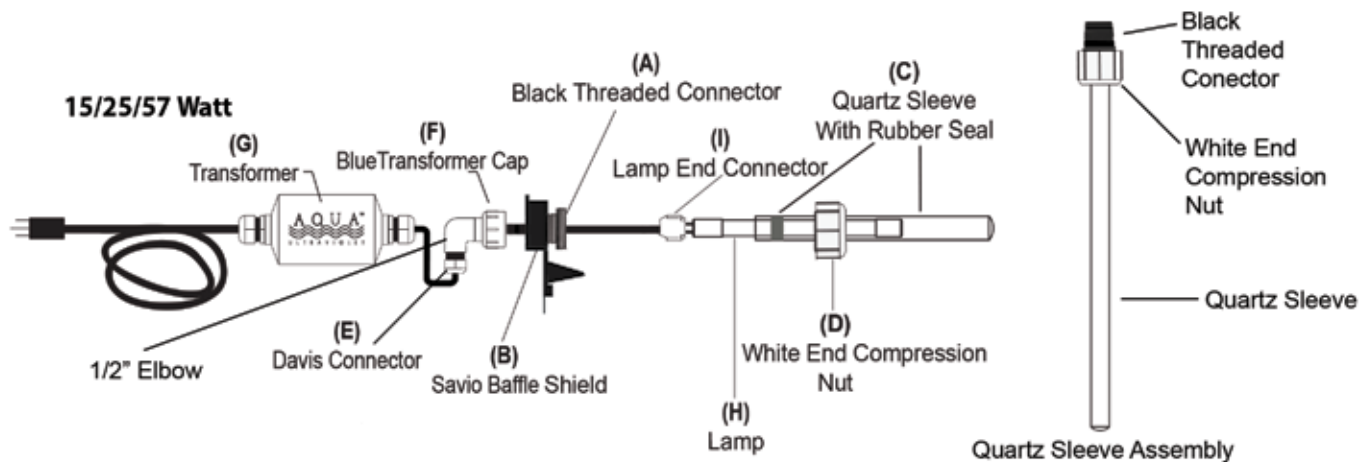
For Ponds up to 4000 gallons  
For Ponds up to 6500 gallons

Warning: Failure to follow these instructions correctly could result in voiding the warranty. Do not attempt repairs yourself, contact Aqua Ultraviolet. Always unplug the unit from its power source before opening the skimmer's lid. Care should be taken to avoid the possibility of electrical shock. If the unit falls into the water do not reach for it, first unplug the unit and then retrieve it. If any electrical component gets wet unplug the unit immediately. Do not operate this unit if it has a damaged cord or plug, if the unit is malfunctioning, or it has been dropped or damaged in any way. Always unplug the unit when servicing the skimmer, cleaning, removing or replacing any parts. Never yank the cord to pull the plug, grasp the plug to disconnect. Do not allow the unit to be entirely submerged. Do not allow the transformer to be submerged in water. Do not place transformer in the pond or in an area where water can pool. Do not operate the unit in a dry skimmer, damage may result. Damage caused by operating the unit dry is not covered under warranty. Improper assembly may result in electrical component water damage, which is not covered under warranty.

First determine if your Savio Skimmer has the Current Style Baffle or Old Style Baffle, refer to the diagram below. If your baffle top has a large opening like the one on the right Old Style Baffle, purchase a Current Style Baffle from Savio then proceed with the installation on page 6. If your baffle looks like the one on the left, Current Style Baffle, go to page 6.







## For The 15 Watt Installation:

1. Turn Pump off.
2. Remove the lid from your Savio Skimmer.
3. Remove the screws to take out the Baffle Shield (B).

## For The 25/57 Watt Installation:

1. Turn Pump off.
2. Remove the 2 white vinyl screws to remove the lid from your Savio Skimmer.
3. If installing one UV you can use either the left or right Baffle Shield (UV mount) (B).
4. Remove the screws to take out the Baffle Shield (B).

## Continue For 15/25/57

5. Test Fit the Quartz Assembly by placing the smaller end of the Black Threaded Connector (A) into the bottom of the Baffle Shield until the top threads are visible through the top of the Baffle Shield (B) and the Aqua UV Logo is just below the Baffle Shield. If it is necessary use the Grinding Stone provided in the kit to file the opening of the Baffle Shield a little to allow the Black Threaded Connector (A) to fit. Quartz assembly should now be in the Baffle Shield.

## Installing the Lamp

6. Caution: Prevent finger marks on the lamp. If you touch the Lamp use denatured alcohol and a soft cloth to clean it .

Note: Lamps and Quartz Sleeves should be handled with care. Lamps and Quartz Sleeves are not warranted against breakage.

Lamps need to be changed every 14 months. Use only genuine Aqua Ultraviolet Lamps.

Do not look at or handle UV Lamps when lit outside of the Skimmer Housing. Considerable Ultraviolet energy is emitted which may produce severe sunburn and/or conjunctivitis.

- Remove Lamp from shipping tube holding it by the blue end pieces. Plug Lamp into the White Lamp End Connector (I). Be sure the Lamp and the Lamp End connector are flush.
- Be very careful when installing the lamp. If the lamp is not plugged in all the way this may cause damage to the Retrofit Unit and is not covered under warranty nor is any damage caused by improper installation.
- Insert the Lamp straight into the Quartz Sleeve assembly.
- Do not drop the lamp into the Quartz Sleeve, it will break the Quartz Sleeve. Do not install the lamp at an angle, even a slight angle; this may cause a "U" shaped crack at the end of the Quartz Sleeve or break the lamp. If this should happen, do not proceed with the installation. Purchase a new Lamp or Quartz sleeve from your dealer.
- Do not force the lamp into the Quartz Sleeve, any force would be an indication of improper installation.
- Take a damp towel and wipe finger prints from Quartz Sleeve (C).

# INSTALLATION

---

7. Hold the assembly by the White End Compression Nut (D) under the Baffle and the Blue Transformer Cap (F) above the Baffle spinning the nut to tighten. Hand tighten only.
8. Install the newly assembled UV with Baffle into the Skimmer. Insert the screws.
9. Do not plug the Transformer into power at this time.
10. Run cord through slot on side of Skimmer. Do not allow electrical connection to get wet. Place the Lid on the Skimmer.
11. Turn on pump and run for 10 minutes. Turn off pump. Remove the Skimmer Lid. Unscrew the UV with Baffle and check the Clear Quartz Sleeve(C) for water.
12. If water is present, unscrew the White End Compression Nut (D). Check that the Purple Rubber Seal is in place. Approximately 1/2" should be visible below the Black Threaded Connector (A), Retighten fittings.
13. Repeat steps 8-11 until there are no leaks. If leak continues contact Tech Support 800-454-2725 or support@aquauv.com.

## Install UV into Savio Skimmer

1. Install the newly assembled UV into the skimmer. Insert the screws.
2. Place the power cord in the slot on the side of Skimmer.
3. Plug the UV into a GFCI receptacle, the Blue Transformer Cap (F) glow can be seen at night.
4. If this unit is not plugged into a GFCI (Ground Fault Circuit Interrupter) the warranty is void. A surge suppressor should be added for extra protection, it is not required, but recommended.
5. For 25/57: Repeat the above steps if a second UV is to be installed.
6. Place Lid on Skimmer. Replace screws.
7. Turn on pump.

\* Suggestion: If you are medicating your fish, we recommend unplugging the UV as it may affect the treatment.

## Winterizing

1. Remove the Baffle Shield complete with the UV Assembly and store in a safe place.
2. Do not allow unit to be exposed to freezing temperatures, damage may result which is not covered under warranty.

## Cleaning the Quartz Sleeve

1. Turn Pump off.
2. Unplug Transformer.
3. Remove the 2 white vinyl screws to remove the lid from your Savio Skimmer.
4. Remove the screws to take out the Baffle Shield complete with the UV Assembly.
5. Lime Away or similar products may be used to clean the Quartz Sleeve. The Quartz Sleeve may need to be soaked over night or until film is lifted.
6. Do not use any type of abrasive substance to clean the Quartz Sleeve as it may be scratched.

## Changing the Quartz Sleeve

1. Install Quartz Sleeve with Purple Seal (C) into the larger end of the Black Threaded Connector(A) so that half of the Purple Seal is still visible below the connection (about 1/2"). It should be a tight fit to create a good seal.
2. Take the White End Compression Nut (D) with threads facing up, slide it up the Quartz Sleeve from the bottom and screw on to the Black Threaded Connector(A).
3. Follow instructions on page 6 for installation.

## Changing the Lamp

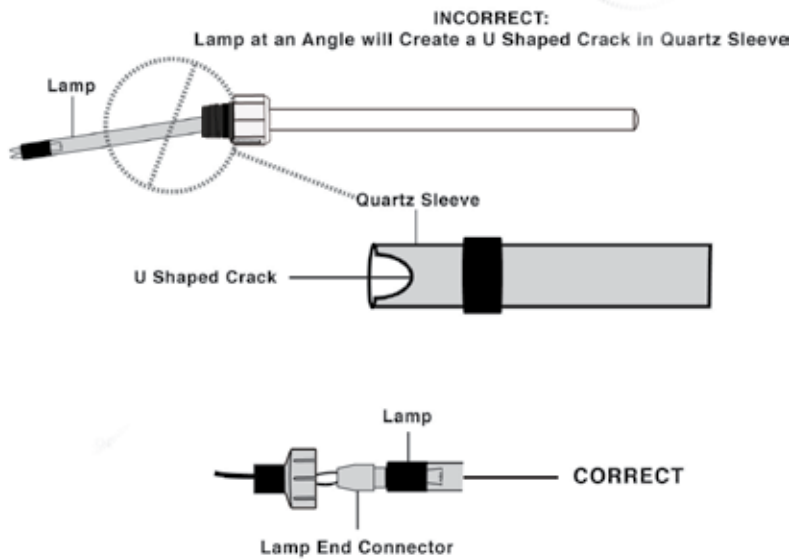
**Lamps need to be changed every 14 months. Use only genuine Aqua Ultraviolet Lamps.**

**Note: Lamps and Quartz Sleeves should be handled with care they are not warranted against breakage. Prevent finger marks on the Lamp. If you touch the Lamp use denatured alcohol and a soft cloth to clean it. We recommend replacing the Purple Rubber Seal on the Quartz Sleeve whenever you replace your Lamp.**

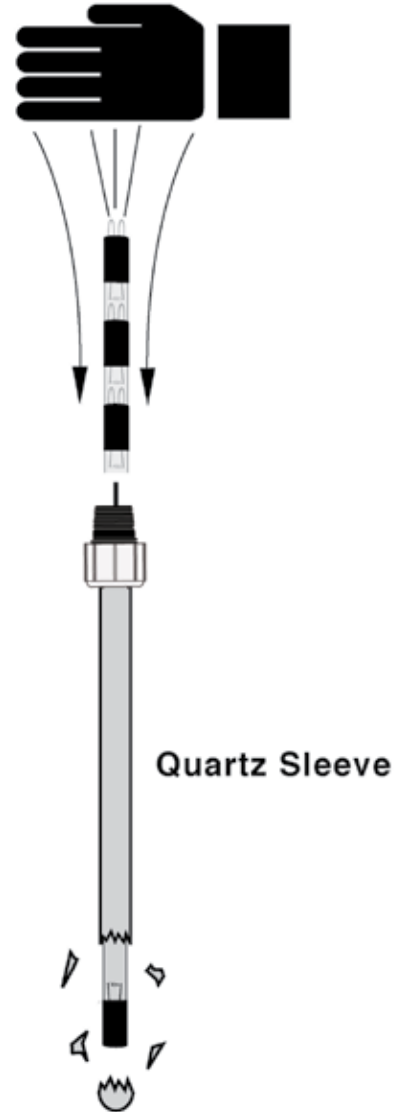
1. Turn off the pump.
2. Unplug the UV Transformer from power source.
3. Lift off lid and remove baffle assembly holding it by the White End Compression Nut (D).
4. Unscrew Blue Transformer Cap (F).
5. Pull the lamp assembly straight out of the Quartz Sleeve, release used Lamp from Lamp End Connector (I).
6. Remove new Lamp from shipping tube and plug into the White Lamp End Connector (I). Be sure the Lamp and the Lamp End Connector (I) are flush. Be very careful when installing the Lamp. If the Lamp is not plugged in all the way this may cause damage to the Retrofit Unit and is not covered under warranty nor is damage caused by improper installation.
7. Do not drop the Lamp into the Quartz Sleeve, it will break the Quartz Sleeve.
8. Do not install the Lamp at an angle, even a slight angle; this may cause a "U" shaped crack at the end of the Quartz Sleeve or break the Lamp. If this should happen, do not proceed with the installation. Purchase a new Lamp or Quartz Sleeve from your dealer.
9. Do not force the Lamp into the Quartz Sleeve, any force would be an indication of improper installation.
10. Do not look at or handle UV Lamps when lit outside of the Skimmer Housing. Considerable Ultraviolet Energy is emitted which may produce severe sunburn and/or conjunctivitis.
11. Take Lamp Assembly and install down into the Quartz Sleeve and hand tighten the Blue Transformer Cap (F).
12. Take a damp towel and wipe finger prints from the Quartz Sleeve.
13. Place assembly and baffle back into skimmer.

# INCORRECT INSTALLATION

The following will cause damage to the retrofit UV.

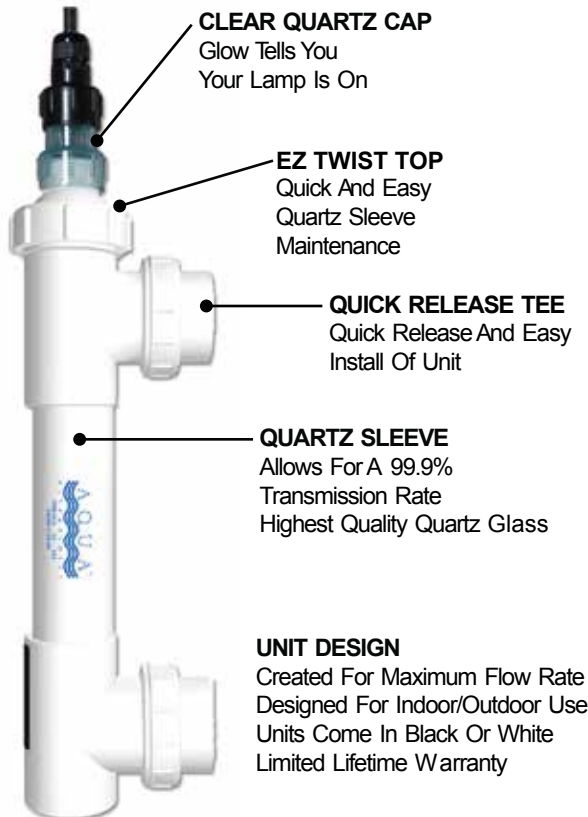


**Lamp Dropped into the Quartz Sleeve can cause Breakage**



# AQUA ULTRAVIOLET PRODUCT LINE

For Easy Care Pond Maintenance Use Aqua Ultraviolet Sterilizers and Ultima II Filters



from **1,000** gallon size to **100,000** gallons

Aqua Ultraviolet media offers the highest surface area for growth of beneficial bacteria



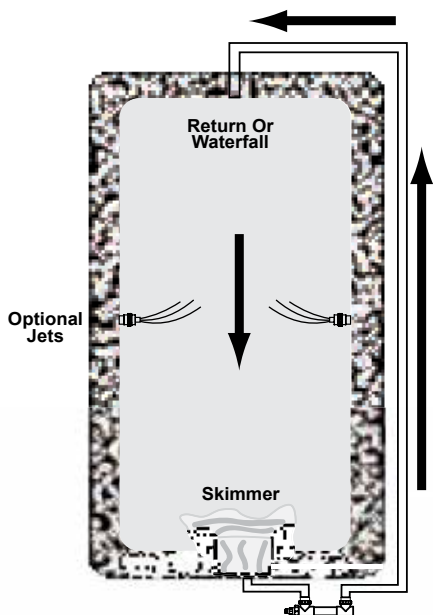
## Clear Water Guaranteed

- Destroys Harmful Bacteria
- Eliminates Algae (Green Water)
- Clears Your Water in 3-5 Days
- Industry's Longest Lamp Life, 14 Months
- Easy to Install and Maintain
- Optional Wiper keeps Quartz Sleeve Clean

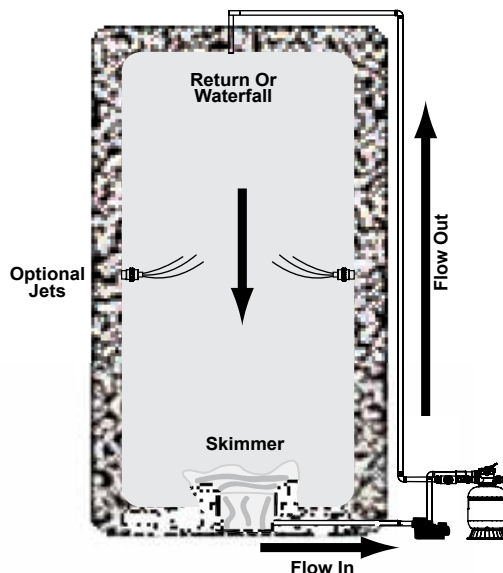
If additional UV or Filtration is needed just plumb it in-line.

## Bio-Mechanical Filtration

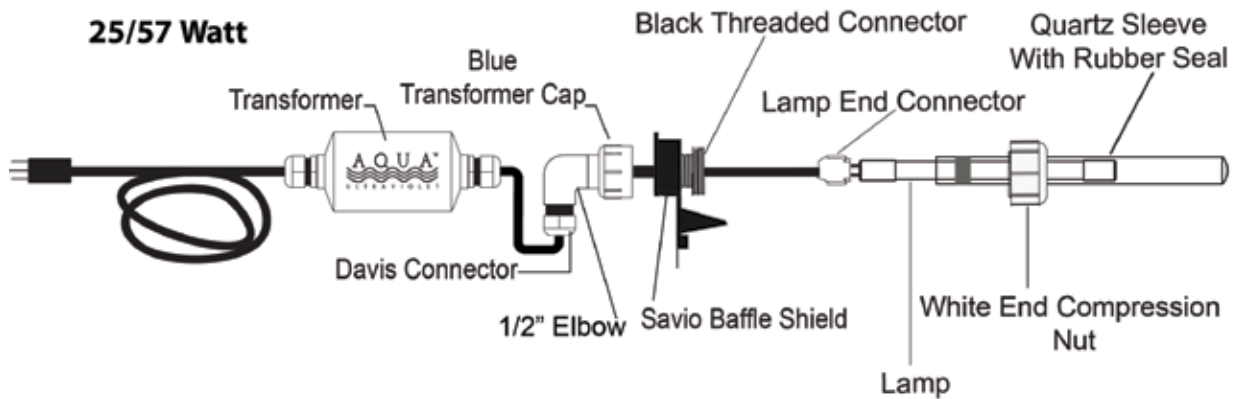
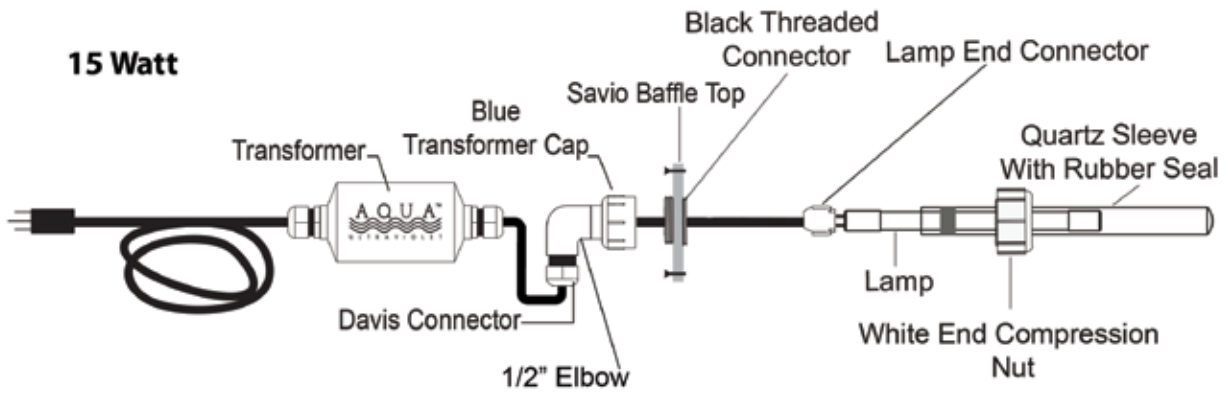
- Easy to Install and Maintain
- Just Minutes each Week for Backwash
- The Internal Jets do all the Work
- No Filter Pads to Scrub
- Your Hands Stay Clean



We recommend that a bottom drain is the optimum draw for Ultima II filter installation



# REPLACEMENT PARTS



PART #	DESCRIPTION
A10015	15 Watt Quartz Sleeve w R/S
A10025	25 Watt Quartz Sleeve w R/S
A10057	57 Watt Quartz Sleeve w R/S
A20015	15 Watt Lamp
A20025	25 Watt Lamp
A20057	57 Watt Lamp
A30070	15 Watt Transformer
A30071	25 Watt Transformer
A30072	57 Watt Transformer
A40247	White End Compression Nut
A40004	Rubber Seal
A40108	Black Threaded Connector
A40002	Lamp End Connector
A40109	Davis Connector For 15/25 Watt
A40349	Davis Connector For 57 Watt
A40357	1/2" Elbow
A40023	Transformer Cap Clear





42371 Avenida Alvarado  
Temecula, CA 92590  
TOLL FREE: (800) 454-2725  
TEL: (951) 296-3480  
FAX: (951) 296-3490  
[www.aquauv.com](http://www.aquauv.com)